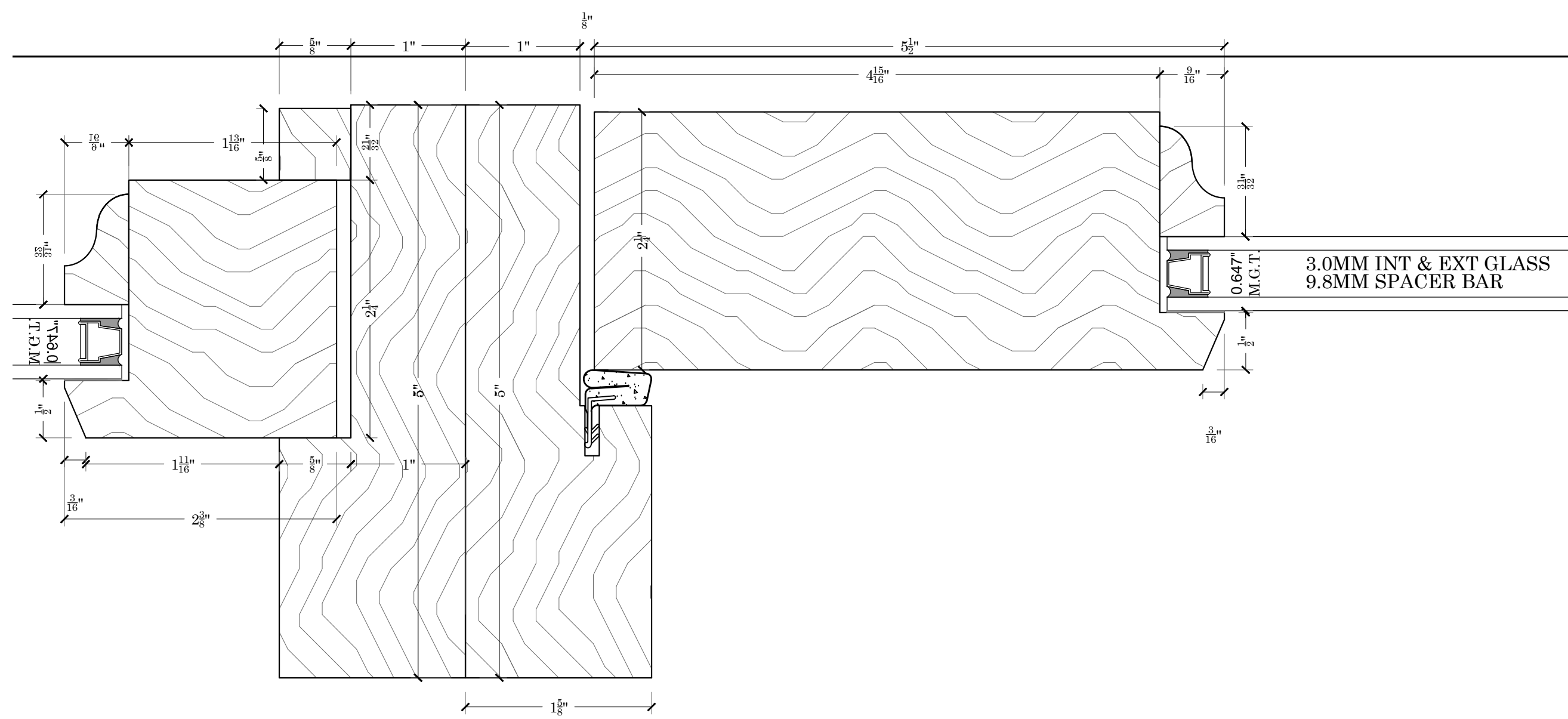
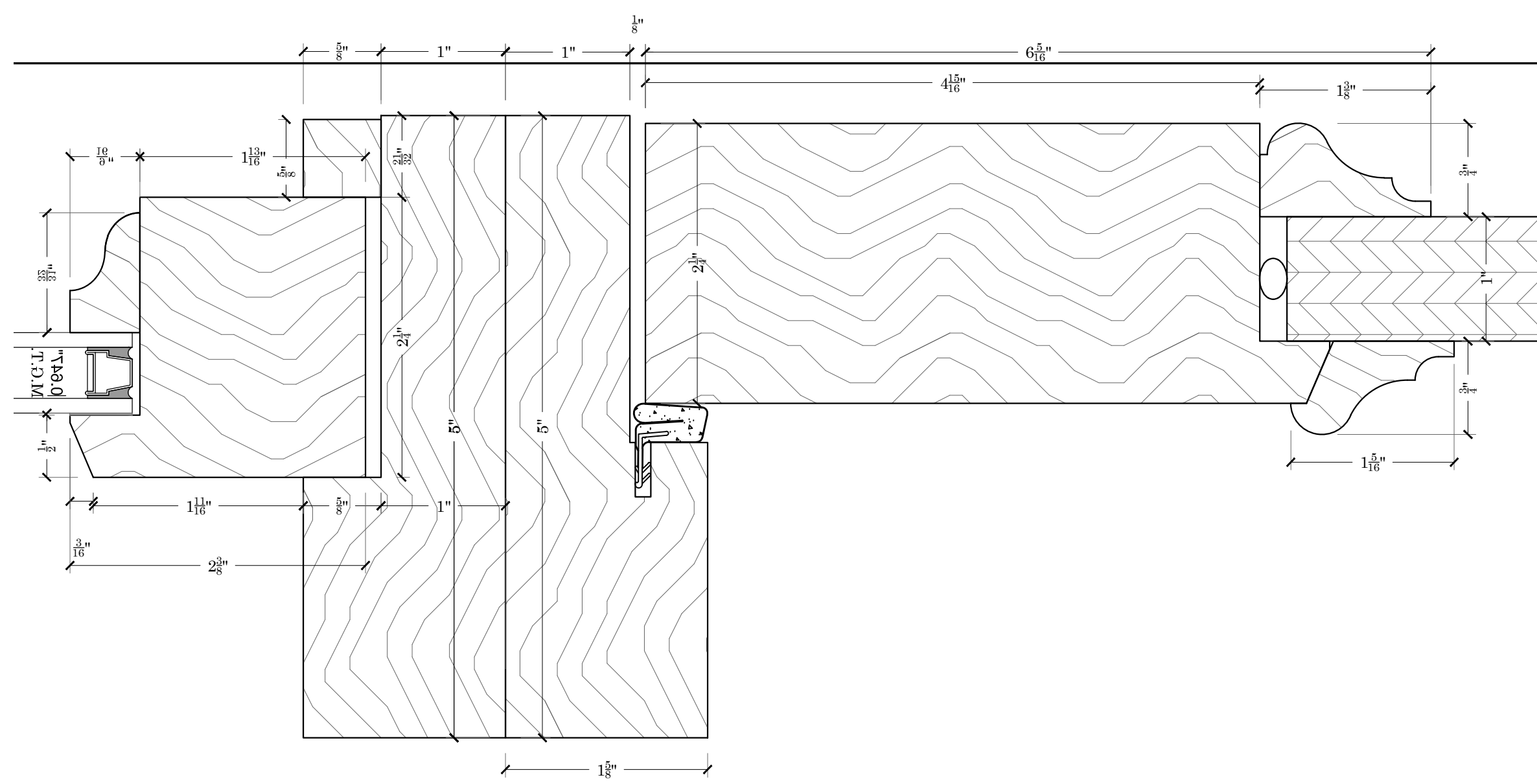


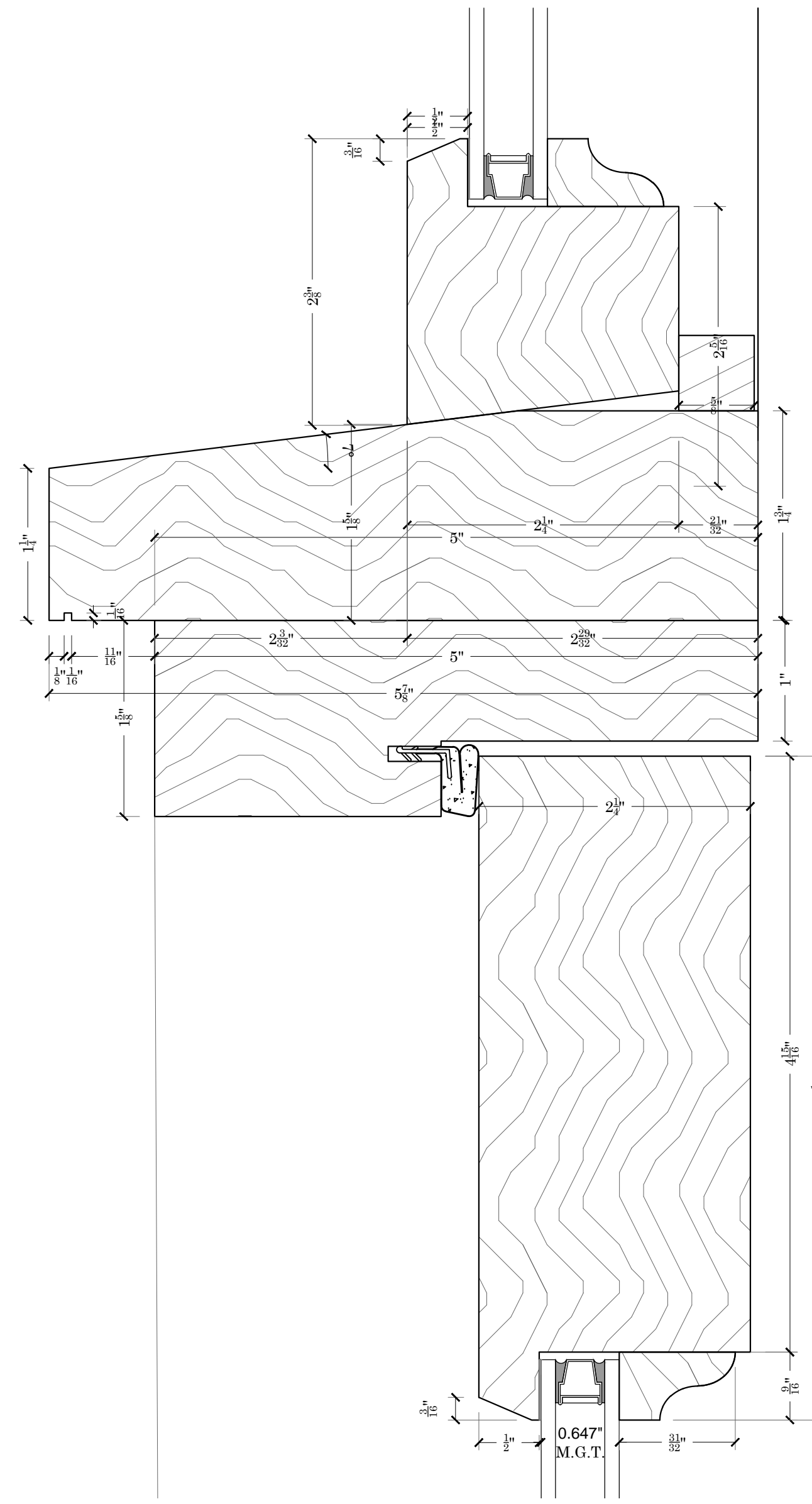
**D1**  
1A SCALE F.S.



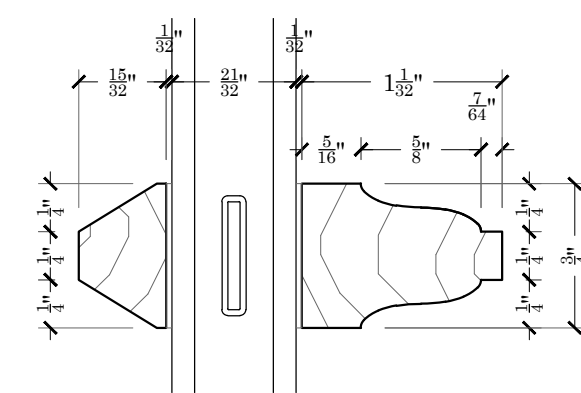
**D2**  
1A SCALE F.S.



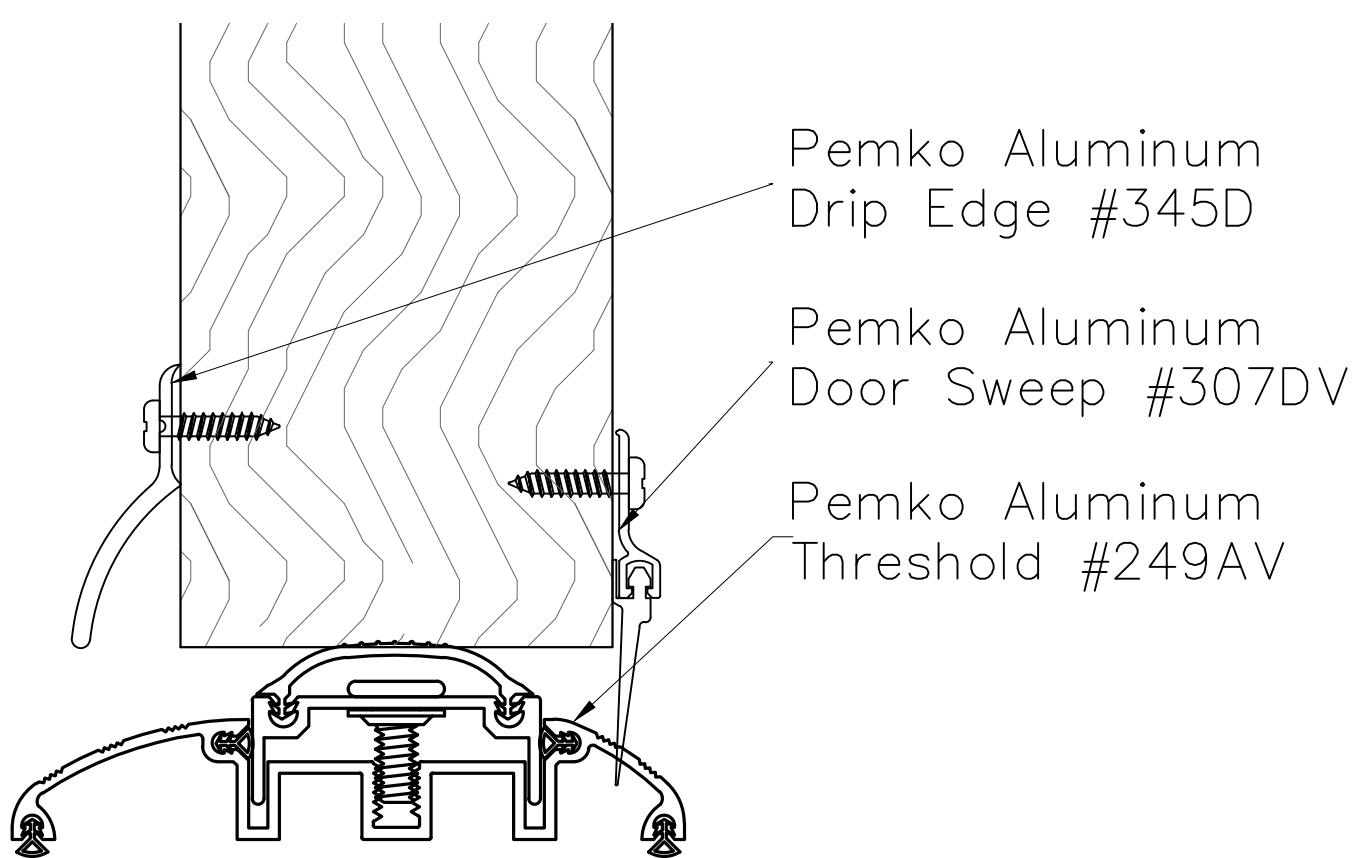
**D3**  
1A SCALE F.S.



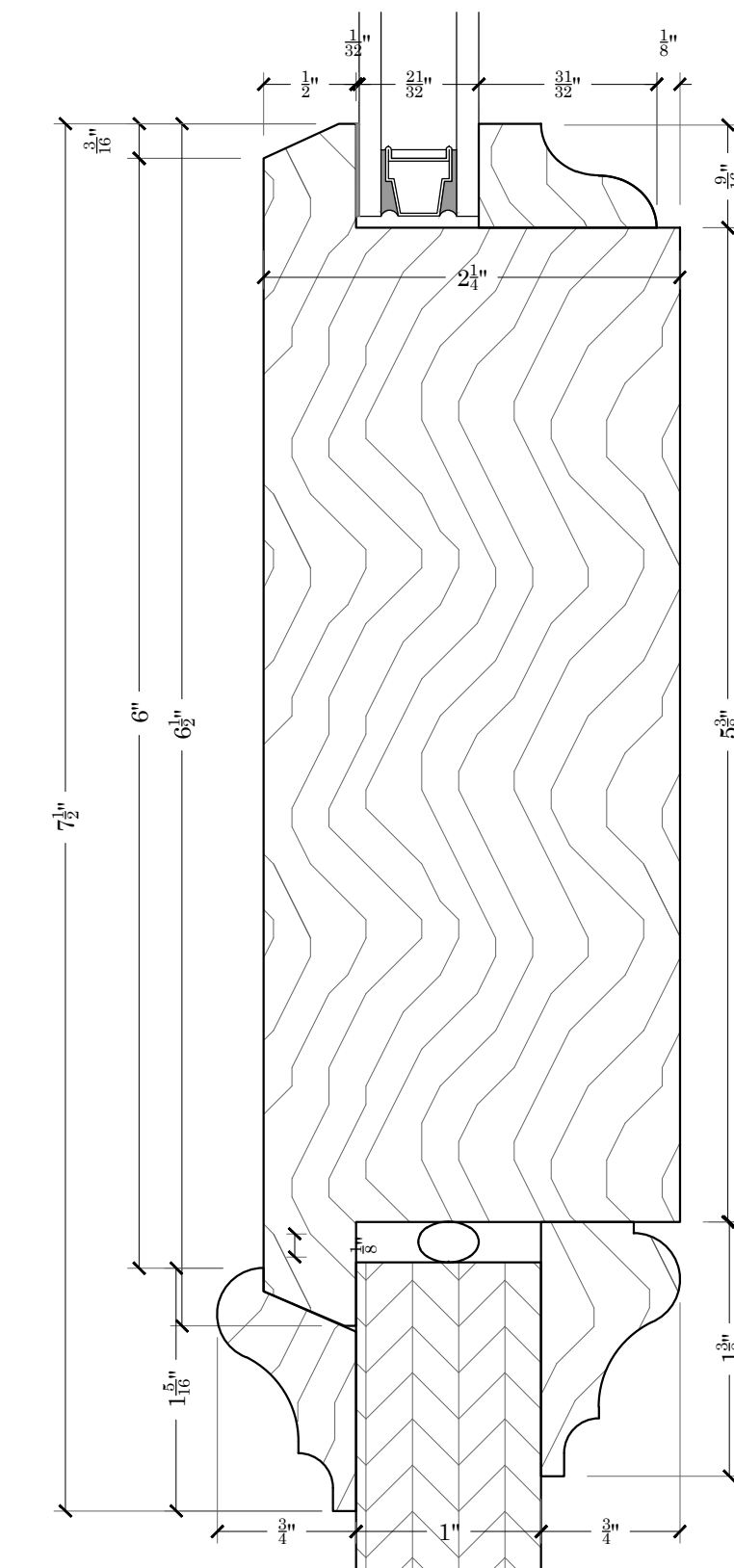
**D4**  
1A SCALE F.S.



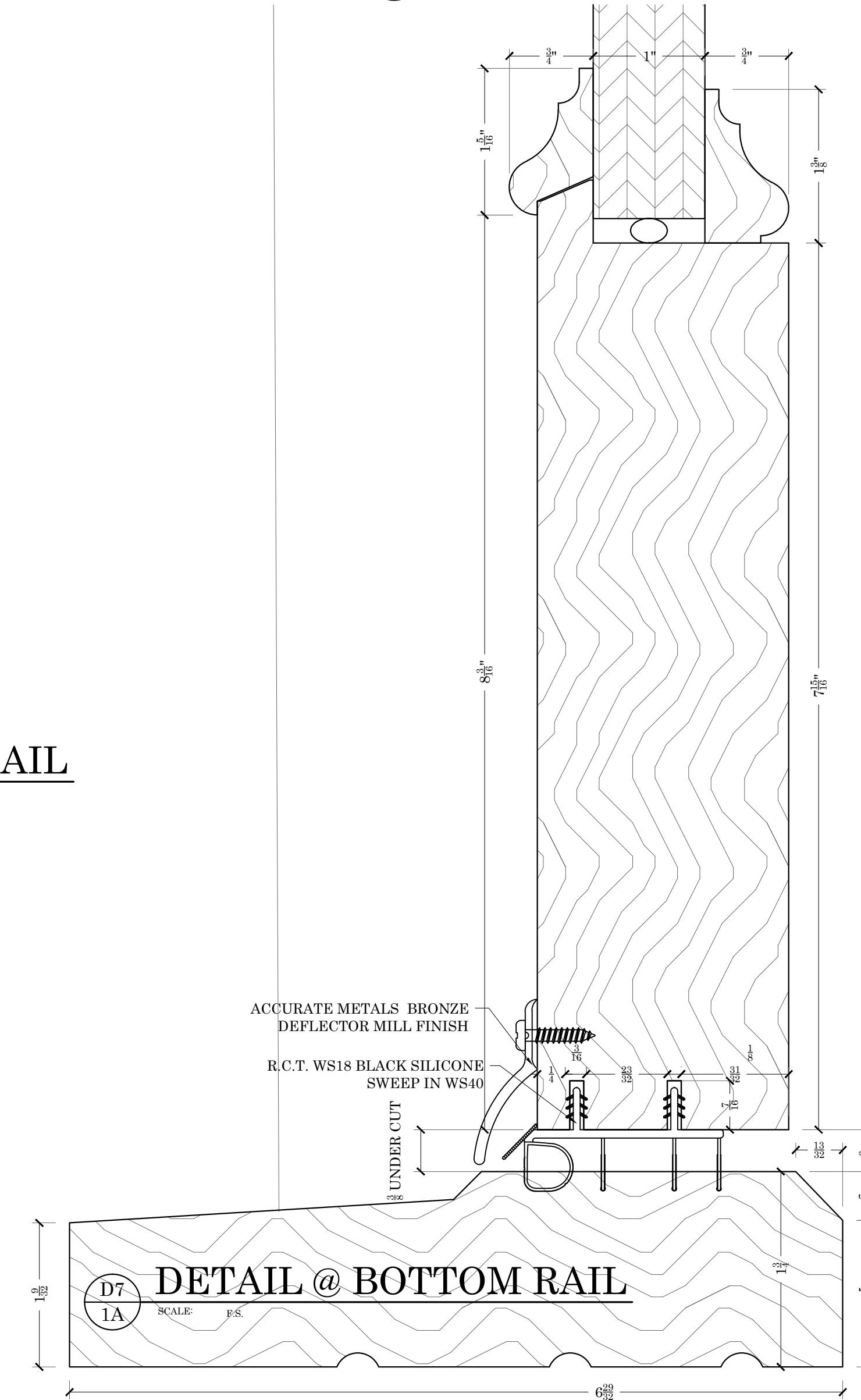
**D5**  
1A SCALE F.S.



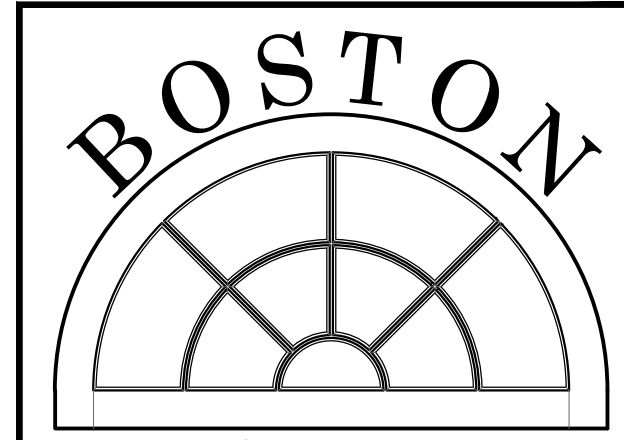
**D7A**  
1A SCALE F.S.



**D6**  
1A SCALE F.S.



**D7**  
1A SCALE F.S.



**SASH & MILLWORK**

667 SPRING STREET  
NORTH DIGHTON, MA 02764  
PHONE # (508) 880-8808  
FAX # (508) 880-8828  
WWW.BOSTONSASH.COM

**SUB./REVISION**

Δ	-	-
-	-	-
-	-	-
-	-	-

JOB: B.S.M. STANDARDS DOOR PROGRAM	
DESCRIPTION: DOOR STANDARDS DOOR & TRANSOM DETAILS	
DEALER:	-
CONTRACTOR:	-
ARCHITECT:	-
PROJ. MGR:	-
DRAWN BY: KEITH KUTHAN	
P.O. #	DWG. NO.
DATE: 7/16/2016	1A
SCALE: NOTED	SHEET: 1 OF 2