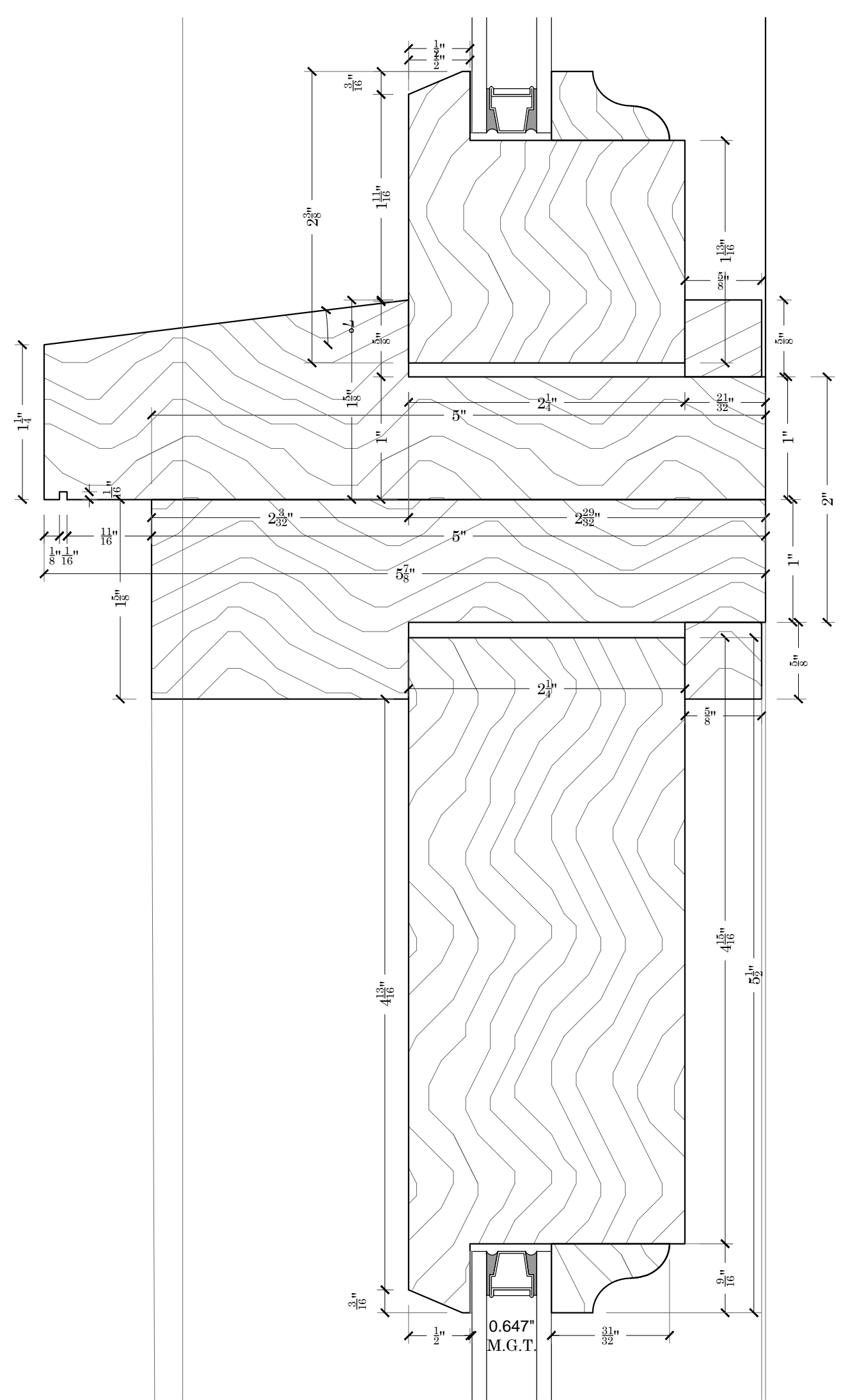
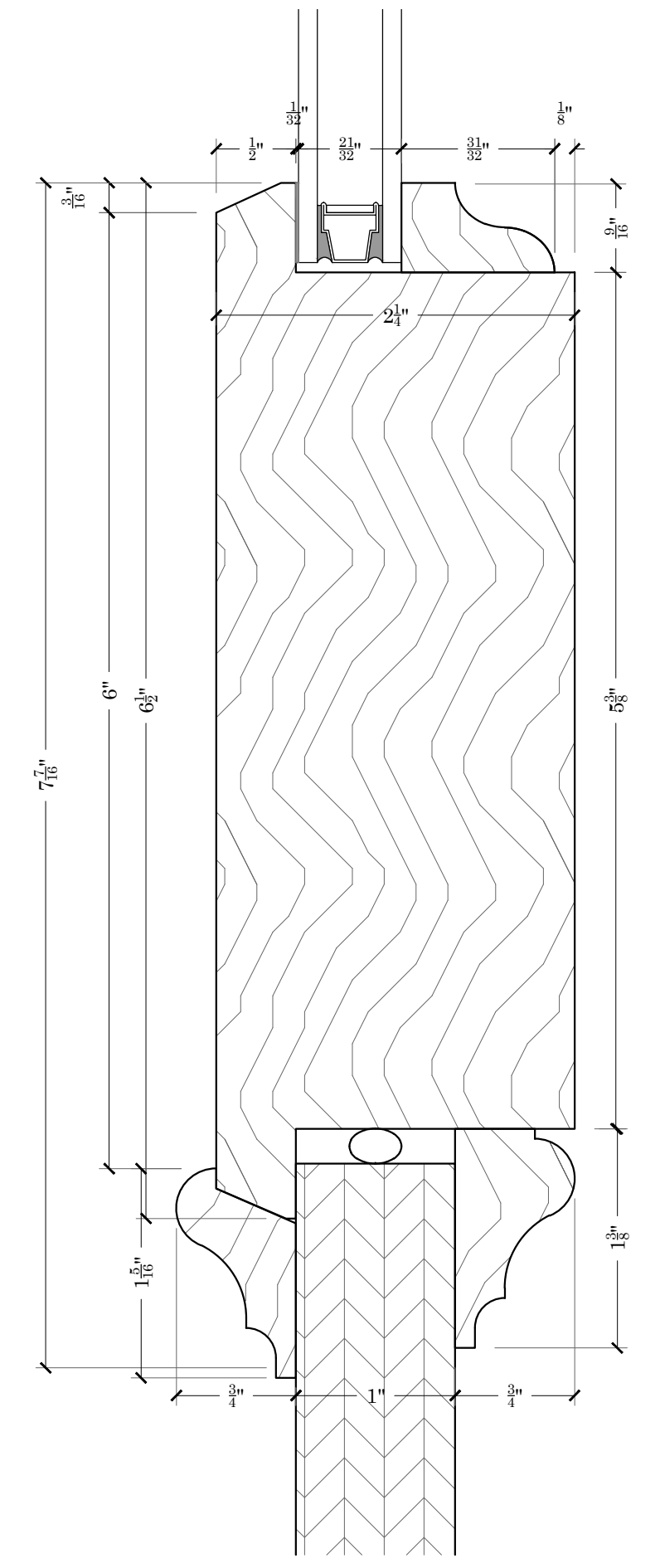


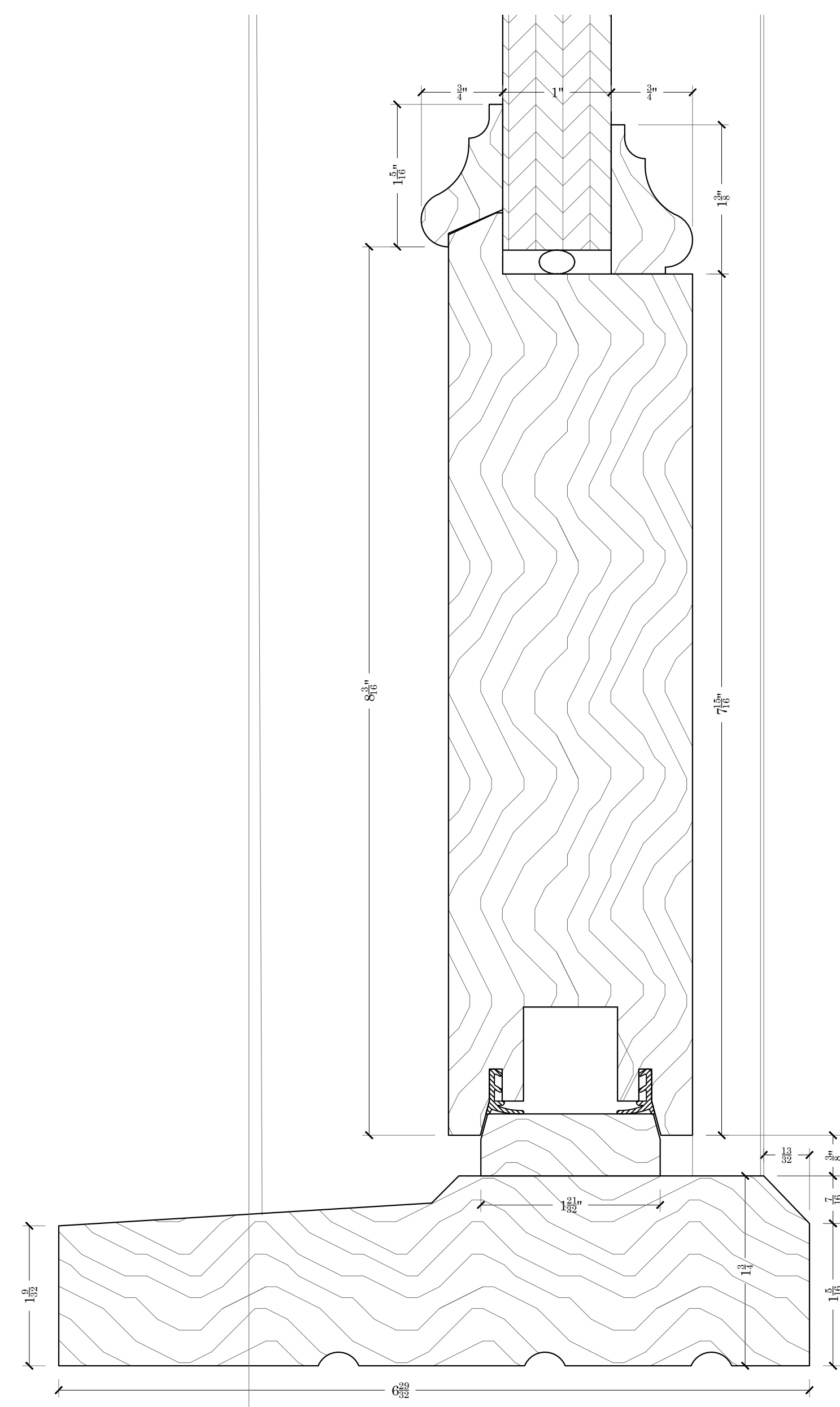
D8
1A SCALE: F.S.
DETAIL @ TRANSOM TOP RAIL



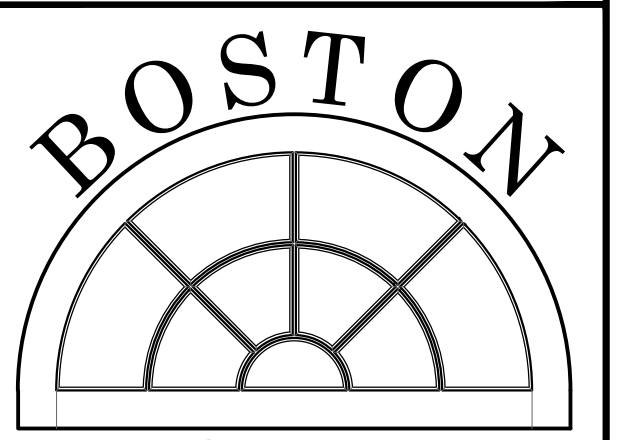
D9
1A SCALE: F.S.
DETAIL @ SIDE LIGHT TOP RAIL



D10
1A SCALE: F.S.
DETAIL @ SIDE LIGHT MID. RAIL



D11
1A SCALE: F.S.
DETAIL @ SIDE LIGHT BOTTOM RAIL



SASH & MILLWORK

667 SPRING STREET
NORTH DIGHTON, MA 02764
PHONE # (508) 880-8808
FAX # (508) 880-8828
WWW.BOSTONSASH.COM

SUB./REVISION

Δ	-	-
-	-	-
-	-	-
-	-	-

JOB: B.S.M. STANDARDS DOOR PROGRAM	
DESCRIPTION: DOOR STANDARDS SIDELIGHT DETAILS	
DEALER:	-
CONTRACTOR:	-
ARCHITECT:	-
PROJ. MGR.:	-
DRAWN BY: KEITH KUTHAN	
P.O. #	DWG. NO.
DATE	1B
SCALE	SHEET
NOTED	2 OF 2