

STANDARD

- 4-5/8" UNIT DEPTH
- ANNEALED DOUBLE STRENGTH GLASS, INSULATED GLASS UNIT
- UTILE MAHOGANY FRAME & SASH
- STANDARD 1-1/2" THICK WESTERN RED CEDAR SILLS
- PRIMED EXTERIOR/ RAW INTERIOR
- TRUTH HARDWARE (WHITE)
- FULLY WEATHER SEALED
- 5/8" S.D.L. BAR & MUNTIN GRILL CONFIGURATIONS
- WHITE ROLLED FORM ALUMINUM SCREEN FRAMES
- CHARCOAL FIBERGLASS SCREEN

SIZING

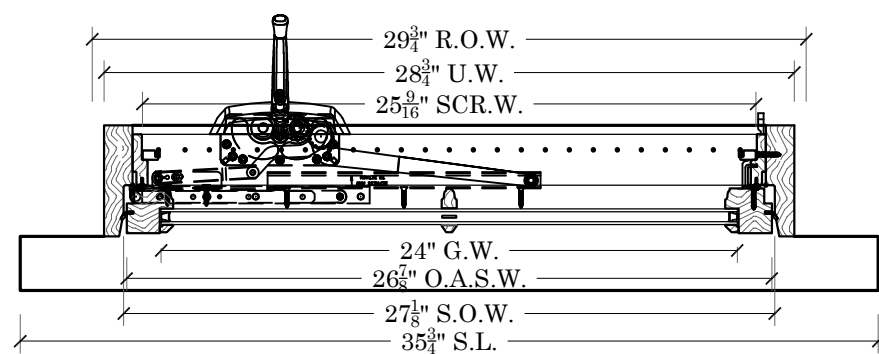
- U.W. = G.W.+4-3/4"
- S.O.W.=G.W.+3-1/8"
- O.A.S.W.= G.W.+2-7/8"
- D.L.O.W.=G.W.-1"
- U.H. = G.H.+7-9/16"
- S.O.H.= G.H.+4-1/8"
- O.A.S.H.=G.H.+3-7/8"
- D.L.O.H.=G.H.-1"

STD. HARDWARE

- | | |
|---|----------------------------------|
| 1 | TRUTH ENTRY G.D.A.O. #15.63 L.H. |
| 1 | TRUTH 3 HOLE TRACK # 30706 |
| 1 | TRUTH STUD BRACKET 10339-LH |
| 1 | TRUTH STANDARD HANDEL #10024 |
| 1 | TRUTH OPERATOR COVER #10341 |
| | FINISH 32 OR 78 WHITE |
| 1 | TRUTH HINGES # 14.05 L.H. |
| 1 | TRUTH N.H.L.P. SASH LOCK #16.18 |
| 1 | TRUTH SASH LOCK KEEPER #31344 |
| | 32&78 WHITE |

CONCORD CASEMENT

SCALE: 1-1/2"=1'

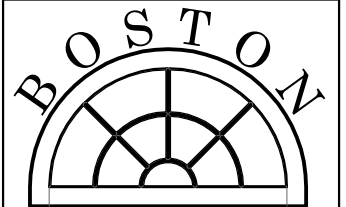


EGRESS INFO.

- MINIMUM UNIT SIZES TO PASS 20"X24" C.O. MA. EGRESS
- S. HARDWARE 28-3/4"W. X 30-1/2"H. OR 32-3/4"W. X 26-1/2"H
- E. HARDWARE 26-1/8"W. X 30-1/2"H. OR 30-1/8"W. X 26-1/2"H

OPTIONAL ITEMS

- TEMPERED DOUBLE STRENGTH GLASS UNITS
- ARGON INSULATION GAP
- EXTERIOR LOW E 180
- 2" PINE OR UTILE MAHOGANY INT.EXTENSION JAMBS
- DOUBLE STRENGTH ANNEALED & OR TEMPERED GLASS
- D.P. RATING GLAZING
- HISTORIC 1-3/4" THICK WESTERN RED CEDAR SILLS
- LIFT OUT WOOD SCREENS
- 5/4"X4" OR 4/4"X5' NOMINAL WESTERN RED CEDAR CASING



SASH & MILLWORK
 667 SPRING STREET
 NORTH DIGHTON, MA. 52764
 PHONE # (508) 880-8808
 FAX # (508) 880-8828
 WWW.BOSTONSASH.COM

B.S. STANDARDS

CASEMENT OPTION 6

ELEVATION, SECTIONS & NOTES

CONCORD PROFILE

JOB:

P.O.#

N/A

DEALER

N/A

CONTRACTOR

N/A

ARCHITECT

N/A

PROJECT MANAGER

N/A

DRAWN BY:

KEITH KUTHAN

DATE:

11/11/2015

SCALE:

NOTED

DWG. NO:

SK3A6.0

SHEET:

1 OF 5