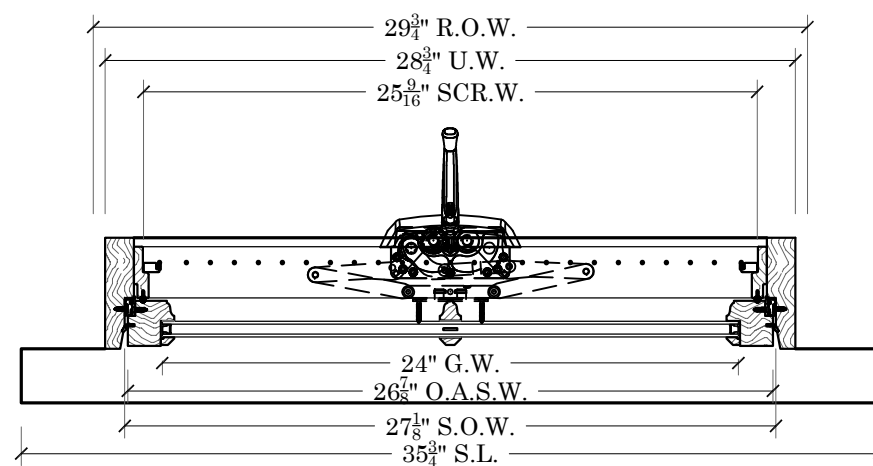


## BACKBAY AWNING

SCALE: 1-1/2"=1'



## STANDARD

- 4-5/8" UNIT DEPTH
- ANNEALED DOUBLE STRENGTH GLASS, INSULATED GLASS UNIT
- UTILE MAHOGANY FRAME & SASH
- STANDARD 1-1/2" THICK WESTERN RED CEDAR SILLS
- PRIMED EXTERIOR/ RAW INTERIOR
- TRUTH HARDWARE (WHITE)
- FULLY WEATHER SEALED
- 7/8" S.D.L. BAR & MUNTIN GRILL CONFIGURATIONS
- WHITE ROLLED FORM ALUMINUM SCREEN FRAMES
- CHARCOAL FIBERGLASS SCREEN

## SIZING

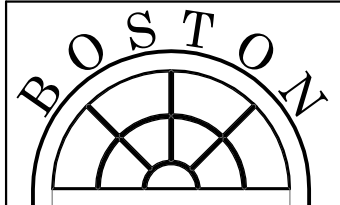
- U.W. = G.W.+4-3/4"
- S.O.W.=G.W.+3-1/8"
- O.A.S.W.= G.W.+2-7/8"
- D.L.O.W.=G.W.-1"
- U.H. = G.H.+7-9/16"
- S.O.H.= G.H.+4-1/8"
- O.A.S.H.=G.H.+3-7/8"
- D.L.O.H.=G.H.-1"

## STD. HARDWARE

- |   |                               |
|---|-------------------------------|
| 1 | TRUTH ENTRYGUARD OP. #11.42   |
| 1 | TRUTH SASH HOOK #20008        |
| 1 | TRUTH STANDARD HANDEL #10024  |
| - | TRUTH OPERATOR COVER #10341   |
|   | 32 & 78 WHITE                 |
| 1 | TRUTH AWNING HINGE 14" #13.14 |

## OPTIONAL ITEMS

- TEMPERED DOUBLE STRENGTH GLASS UNITS
- ARGON INSULATION GAP
- EXTERIOR LOW E 180
- 2" PINE OR UTILE MAHOGANY INT.EXTENSION JAMBS
- DOUBLE STRENGTH ANNEALED & OR TEMPERED GLASS
- D.P. RATING GLAZING
- HISTORIC 1-3/4" THICK WESTERN RED CEDAR SILLS
- LIFT OUT WOOD SCREENS
- 5/4"X4" OR 4/4"X5' NOMINAL WESTERN RED CEDAR CASING



**SASH & MILLWORK**  
 667 SPRING STREET  
 NORTH DIGHTON, MA. 52764  
 PHONE # (508) 880-8808  
 FAX # (508)880-8828  
 WWW.BOSTONSASH.COM

B.S. STANDARDS

AWMING OPTION 4

ELEVATION, SECTIONS & NOTES

BACKBAY PROFILE

JOB:

P.O.#

N/A

DEALER

N/A

CONTRACTOR

N/A

ARCHITECT

N/A

PROJECT MANAGER

N/A

DRAWN BY:

KEITH KUTHAN

DATE:

11/11/2015

SCALE:

NOTED

DWG. NO:

**SK4A4.0**

SHEET:

1 OF 5