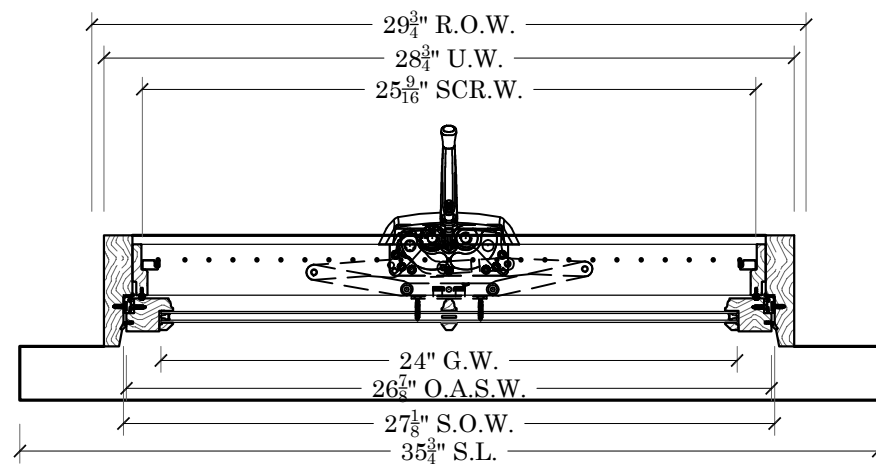


# DARTMOUTH AWNING

SCALE: 1-1/2"=1"



## STANDARD

- 4-5/8" UNIT DEPTH
- ANNEALED DOUBLE STRENGTH GLASS, INSULATED GLASS UNIT
- UTILE MAHOGANY FRAME & SASH
- STANDARD 1-1/2" THICK WESTERN RED CEDAR SILLS
- PRIMED EXTERIOR/ RAW INTERIOR
- TRUTH HARDWARE (WHITE)
- FULLY WEATHER SEALED
- 5/8" S.D.L. BAR & MUNTIN GRILL CONFIGURATIONS
- WHITE ROLLED FORM ALUMINUM SCREEN FRAMES
- CHARCOAL FIBERGLASS SCREEN

## SIZING

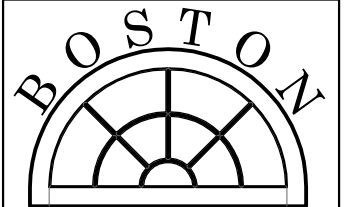
- U.W. = G.W.+4-3/4"
- S.O.W.=G.W.+3-1/8"
- O.A.S.W.= G.W.+2-7/8"
- D.L.O.W.=G.W.-1"
- U.H. = G.H.+7-9/16"
- S.O.H.= G.H.+4-1/8"
- O.A.S.H.=G.H.+3-7/8"
- D.L.O.H.=G.H.-1"

## STD. HARDWARE

- 1 TRUTH ENTRYGUARD OP. #11.42
- 1 TRUTH SASH HOOK #20008
- 1 TRUTH STANDARD HANDEL #10024
- TRUTH OPERATOR COVER #10341
- 32 & 78 WHITE
- 1 TRUTH AWNING HINGE 14" #13.14

## OPTIONAL ITEMS

- TEMPERED DOUBLE STRENGTH GLASS UNITS
- ARGON INSULATION GAP
- EXTERIOR LOW E 180
- 2" PINE OR UTILE MAHOGANY INT.EXTENSION JAMBS
- DOUBLE STRENGTH ANNEALED & OR TEMPERED GLASS
- D.P. RATING GLAZING
- HISTORIC 1-3/4" THICK WESTERN RED CEDAR SILLS
- LIFT OUT WOOD SCREENS
- 5/4"X4" OR 4/4"X5' NOMINAL WESTERN RED CEDAR CASING



**SASH & MILLWORK**  
 667 SPRING STREET  
 NORTH DIGHTON, MA. 52764  
 PHONE # (508) 880-8808  
 FAX # (508) 880-8828  
 WWW.BOSTONSASH.COM

B.S. STANDARDS

AWNING OPTION 7

ELEVATION, SECTIONS & NOTES

DARTMOUTH PROFILE

JOB:

P.O.#  
N/A

DEALER  
N/A

CONTRACTOR  
N/A

ARCHITECT  
N/A

PROJECT MANAGER  
N/A

DRAWN BY:  
**KEITH KUTHAN**

DATE:  
11/11/2015

SCALE:  
NOTED

DWG. NO:

**SK4A7.0**

SHEET:  
1 OF 5