

SASH & MILLWORK
667 SPRING STREET
NORTH DIGHTON, MA. 02764
PHONE # (508) 880-8808
FAX # (508) 880-8828
WWW.BOSTONSASH.COM

B.S. & M. STANDARDS

PEDIMENT HEADS

**DETAILS
TYPE 1**

JOB:

DESCRIPTION:

P.O.#
N/A

DEALER
N/A

CONTRACTOR
N/A

ARCHITECT
N/A

PROJECT MANAGER
N/A

DRAWN BY:
KEITH KUTHAN

DATE:
6/4/2015

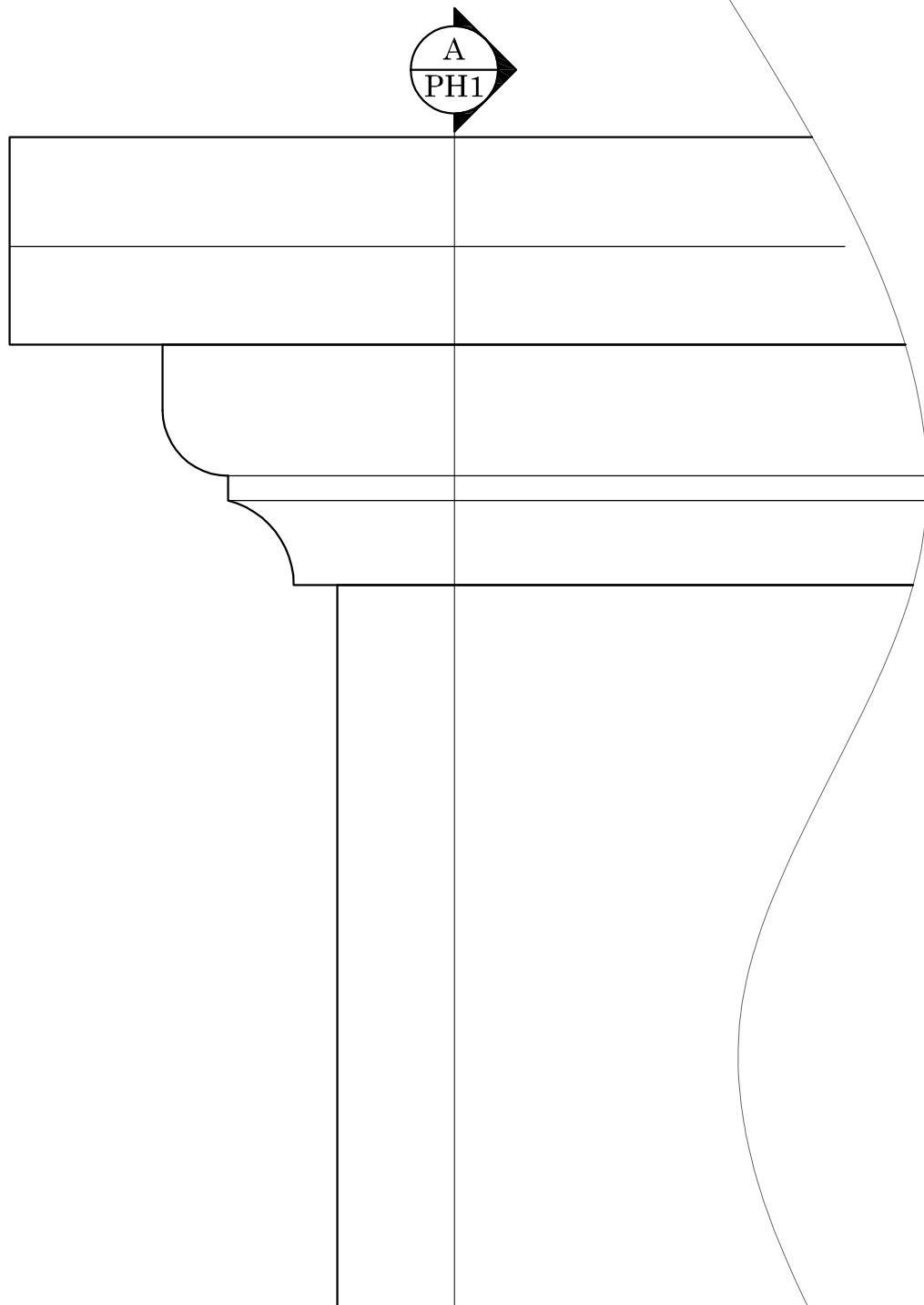
SCALE:
F.S.

DWG. NO:

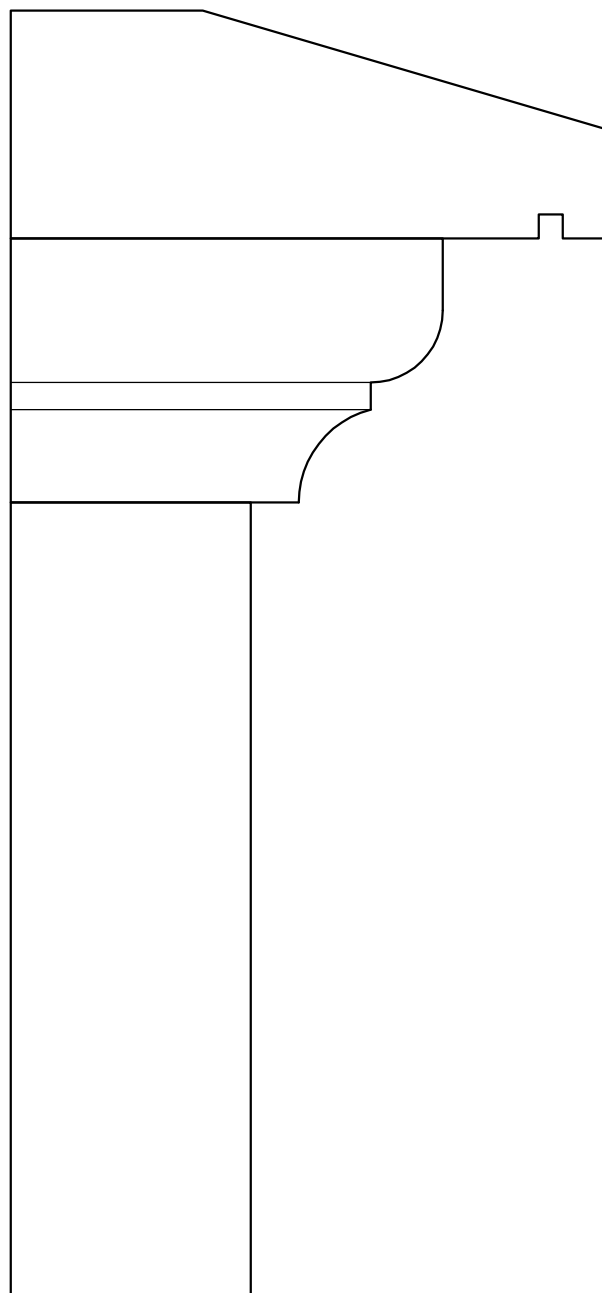
P.H. #1

SHEET:

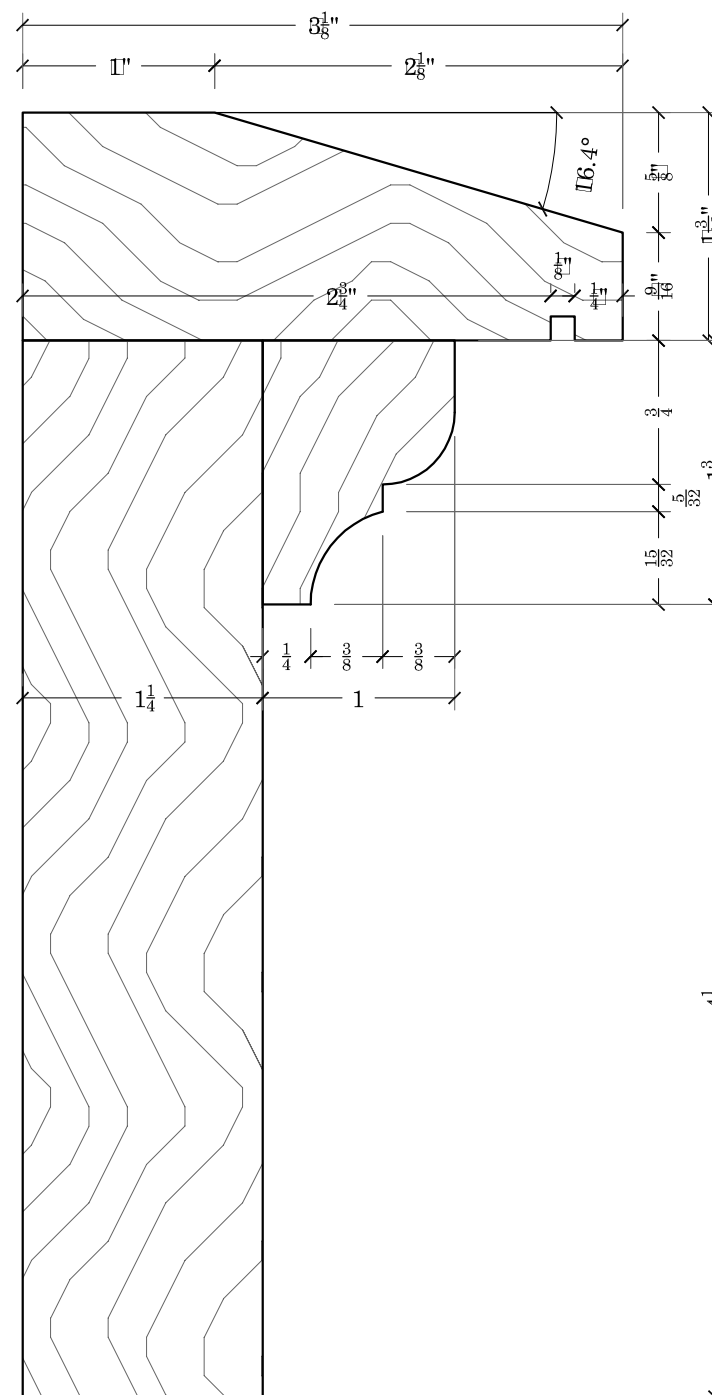
1 OF 4



1
PH1
ELEVATION
SCALE: F.S.



2
PH1
ELEVATION
SCALE: F.S.



A
PH1
SECTION
SCALE: F.S.