

SASH & MILLWORK
 667 SPRING STREET
 NORTH DIGHTON, MA. 02764
 PHONE # (508) 880-8808
 FAX # (508) 880-8828
 WWW.BOSTONSASH.COM

B.S. & M. STANDARDS

PEDIMENT HEADS

DETAILS

TYPE 3

JOB:

DESCRIPTION:

P.O.#
N/A

DEALER
N/A

CONTRACTOR
N/A

ARCHITECT
N/A

PROJECT MANAGER
N/A

DRAWN BY:
KEITH KUTHAN

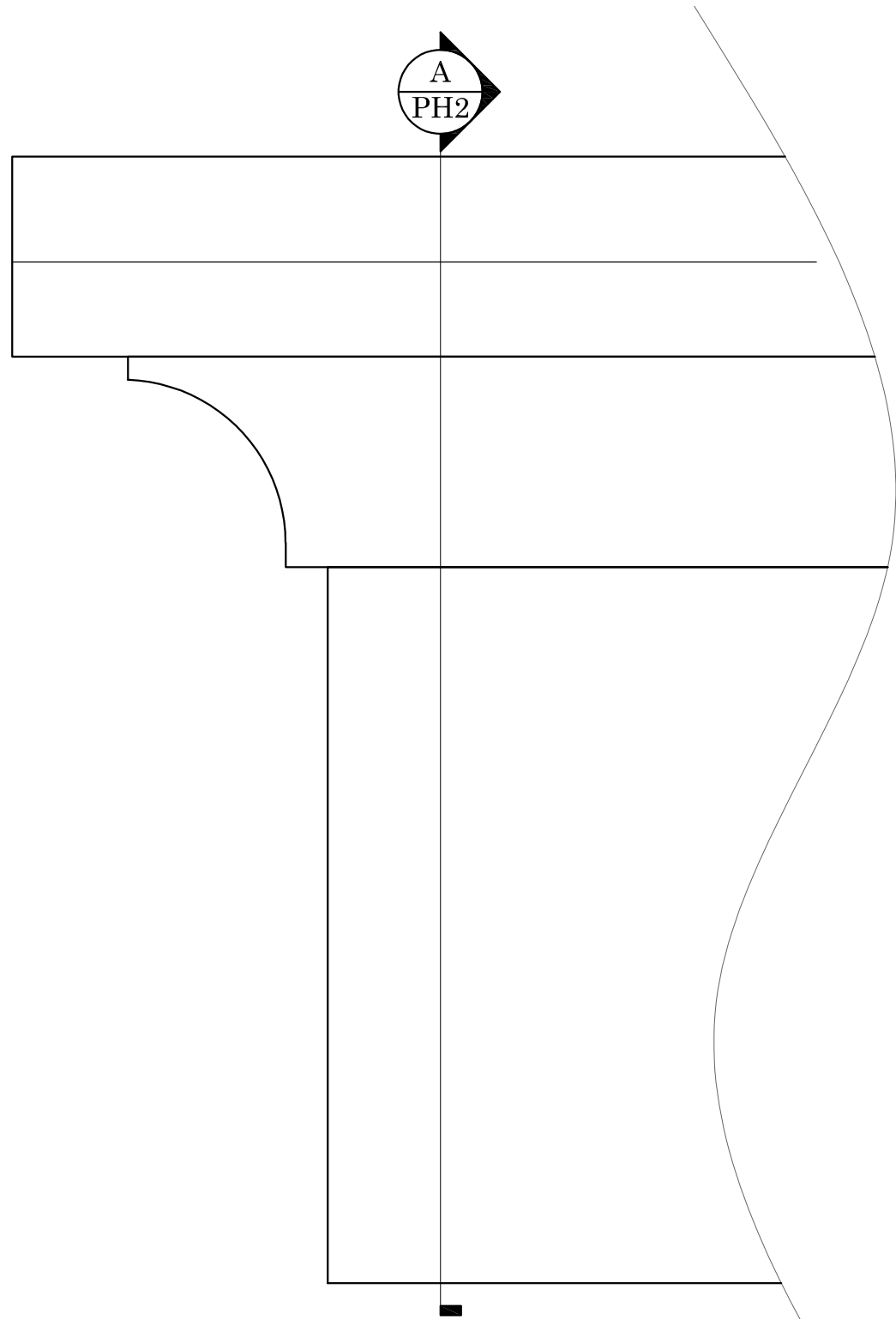
DATE:
6/4/2015

SCALE:
F.S.

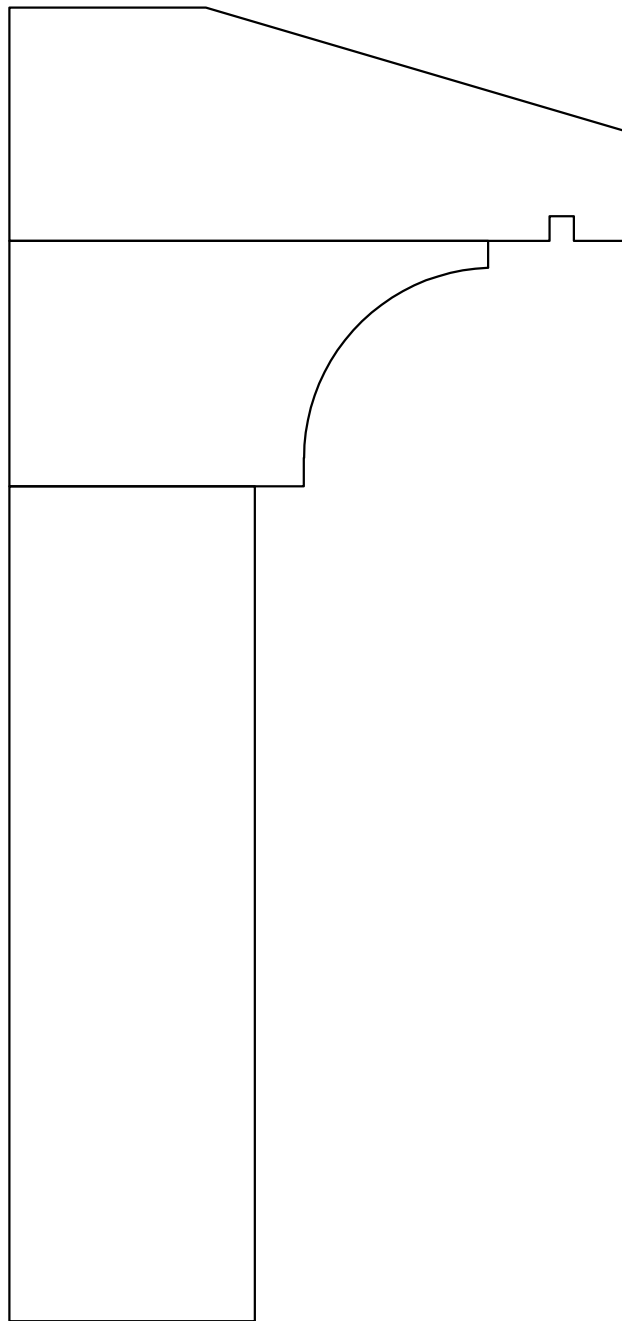
DWG. NO:

P.H. #2

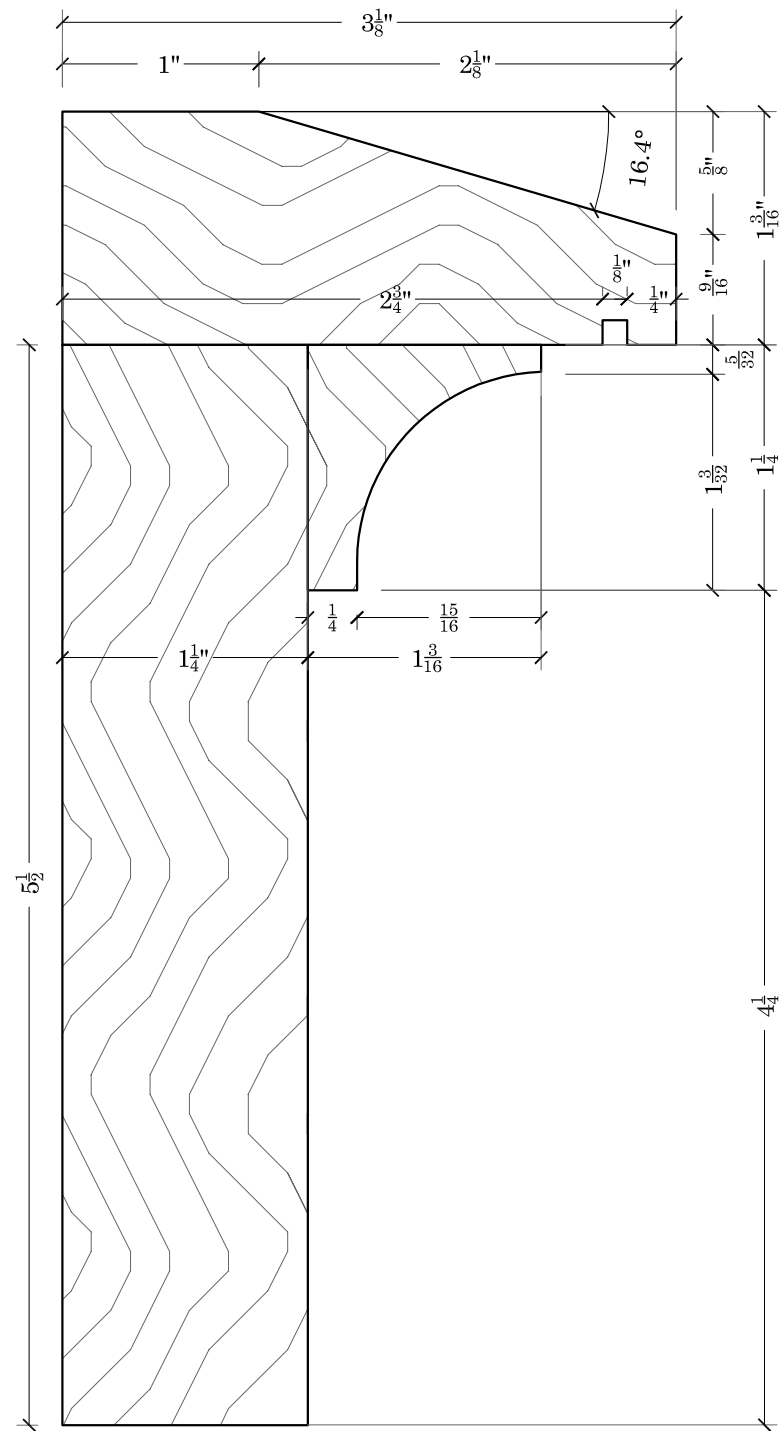
SHEET:
2 OF 4



1 ELEVATION
 SCALE: F.S.



2 ELEVATION
 SCALE: F.S.



A SECTION
 SCALE: F.S.