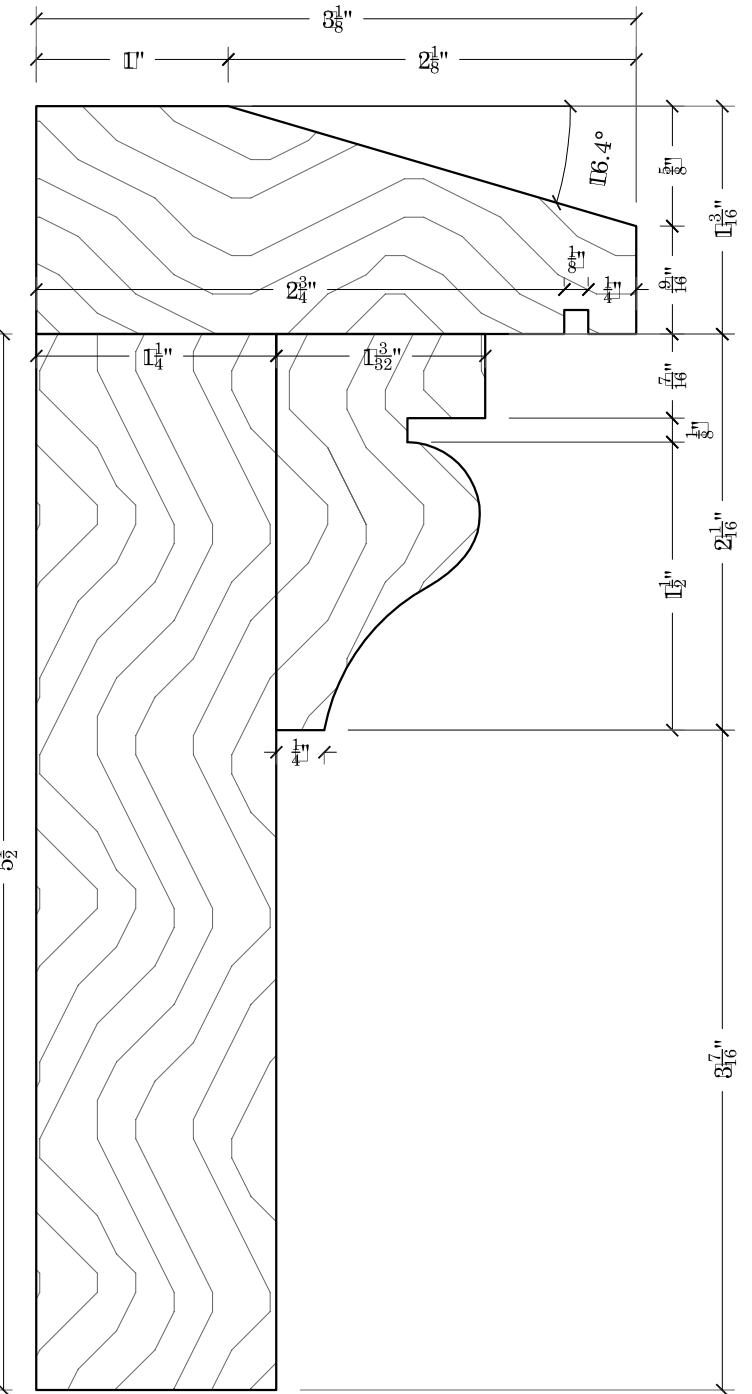


1
PH3
ELEVATION
SCALE: F.S.

2
PH3
ELEVATION
SCALE: F.S.



A
PH3
SECTION
SCALE: F.S.

B O S T O N

SASH & MILLWORK
667 SPRING STREET
NORTH DIGHTON, MA. 02764
PHONE # (508) 880-8808
FAX # (508) 880-8828
WWW.BOSTONSASH.COM

B.S. & M. STANDARDS	PEDIMENT HEADS
DETAILS	TYPE 3
JOB:	DESCRIPTION:

P.O.# N/A	
DEALER N/A	
CONTRACTOR N/A	
ARCHITECT N/A	
PROJECT MANAGER N/A	
DRAWN BY: KEITH KUTHAN	
DATE: 6/4/2015	
SCALE: F.S.	
DWG. NO:	
P.H. #3	
SHEET:	
3	OF 4