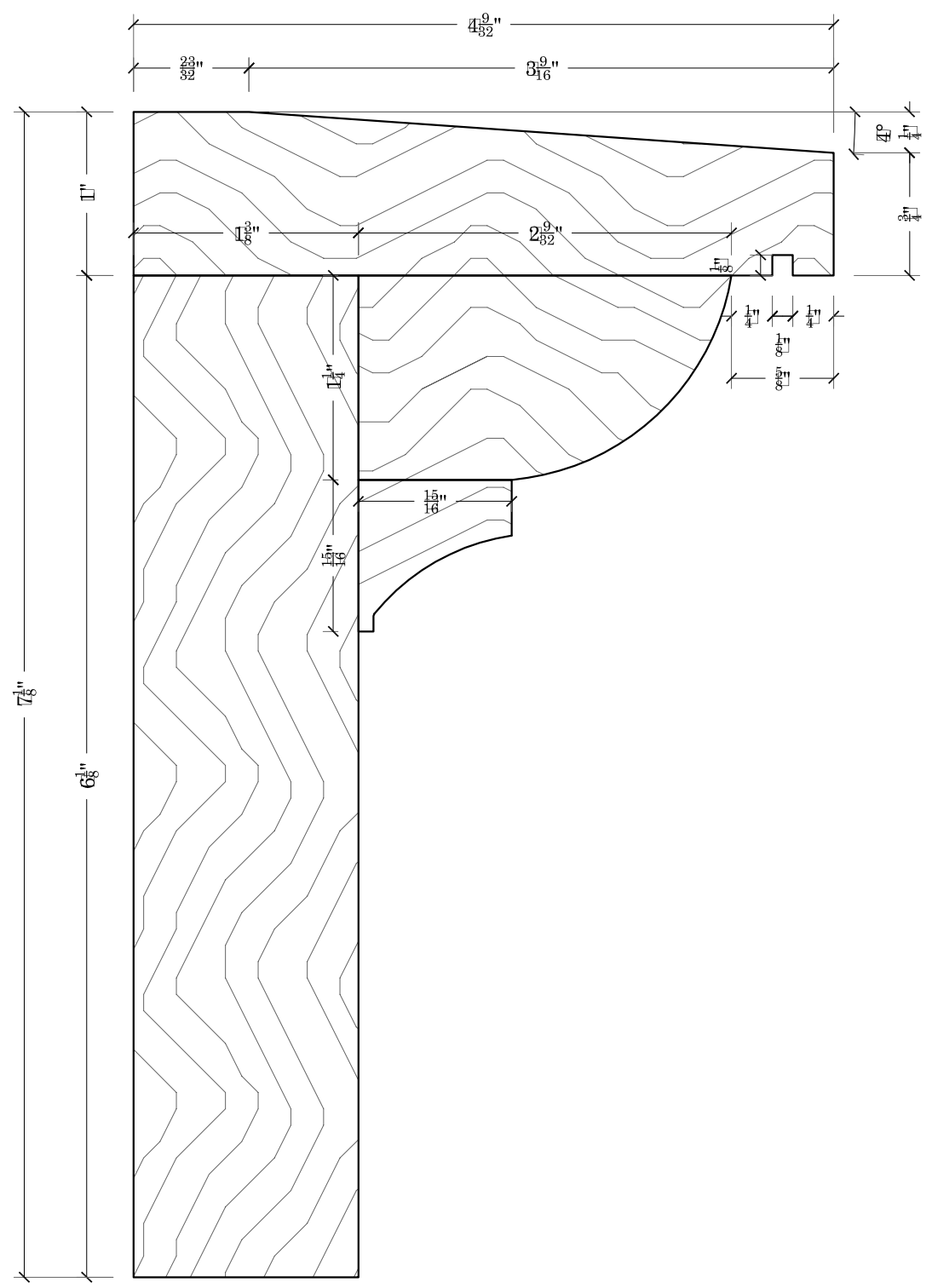



ELEVATION
 SCALE: F.S.




SECTION
 SCALE: F.S.


SASH & MILLWORK
 667 SPRING STREET
 NORTH DIGHTON, MA. 02764
 PHONE # (508) 880-8808
 FAX # (508) 880-8828
 WWW.BOSTONSASH.COM

B.S. & M. STANDARDS	PEDIMENT HEADS
	DETAILS TYPE 4
<small>JOB:</small>	<small>DESCRIPTION:</small>

<small>P.O.#</small> N/A
<small>DEALER</small> N/A
<small>CONTRACTOR</small> N/A
<small>ARCHITECT</small> N/A
<small>PROJECT MANAGER</small> N/A
<small>DRAWN BY:</small> KEITH KUTHAN
<small>DATE:</small> 6/4/2015
<small>SCALE:</small> F.S.
<small>DWG. NO:</small> P.H. #4
<small>SHEET:</small> 4 OF 4