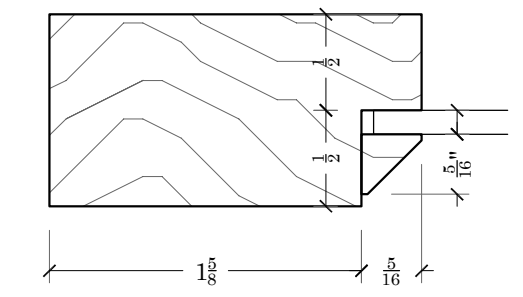
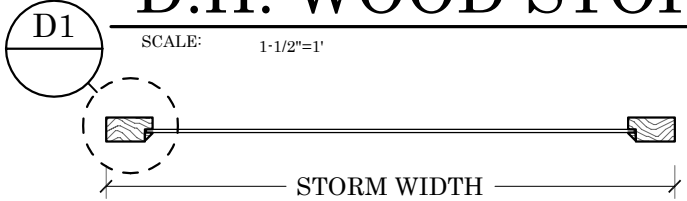
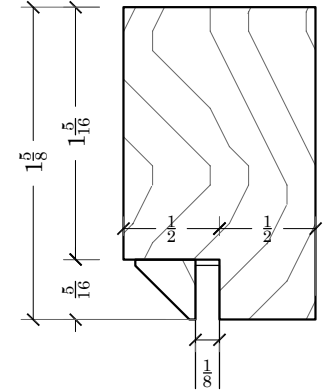


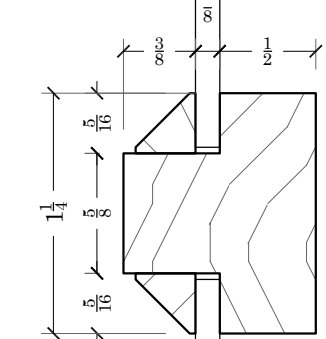
**D.H. WOOD STORM**



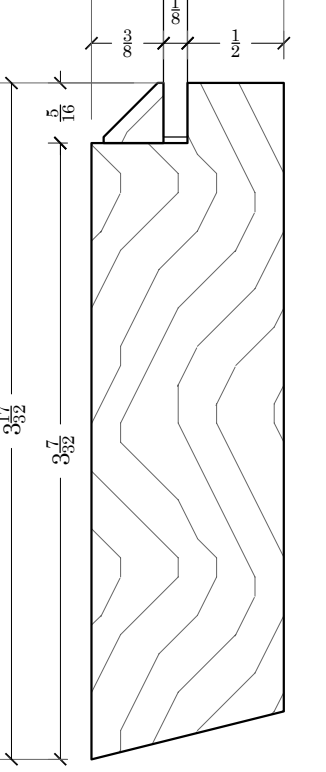
**D1 DETAIL**  
SCALE: F.S.



**D2 DETAIL**  
SCALE: F.S.



**D3 DETAIL**  
SCALE: F.S.



**D4 DETAIL**  
SCALE: F.S.

**STANDARD**

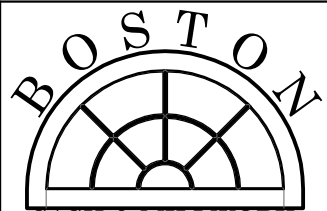
- PRIMED UTILE MAHOGANY FRAME & BEAD
- D.S.B. GLASS

**OPTIONS**

- TEMPERED D.S.B. GLASS

**SCREEN LIST**

STORM WIDTH	STORM HEIGHT	QTY



SASH & MILLWORK  
667 SPRING STREET  
NORTH DIGHTON, MA. 52764  
PHONE # (508) 880-8808  
FAX # (508)880-8828  
WWW.BOSTONSASH.COM

**JOB:**  
B.S. STANDARDS  
D.H. WOOD STORMS  
**DESCRIPTION:**  
ELEVATION, SECTIONS & DETAILS  
NOTES & LIST

P.O.#  
N/A  
DEALER  
N/A  
CONTRACTOR  
N/A  
ARCHITECT  
N/A  
PROJECT MANAGER  
N/A  
DRAWN BY:  
**KEITH KUTHAN**  
DATE:  
**5/12/2016**  
SCALE:  
**NOTED**  
DWG. NO:  
**SK10A3.0**  
SHEET:  
**1 OF 1**