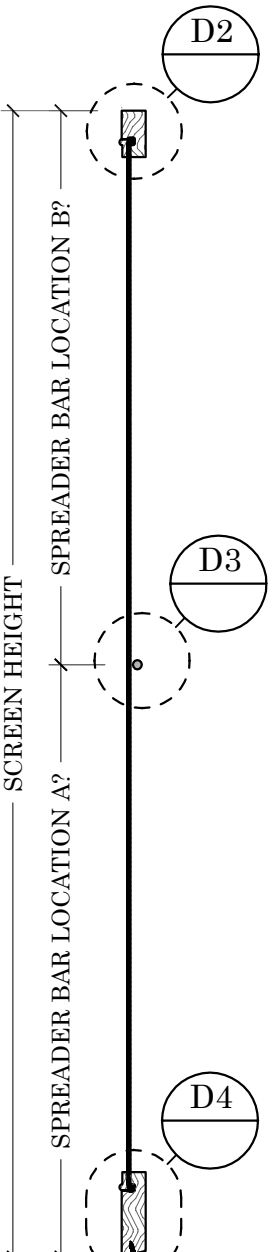


FULL WOOD SCREEN

D1

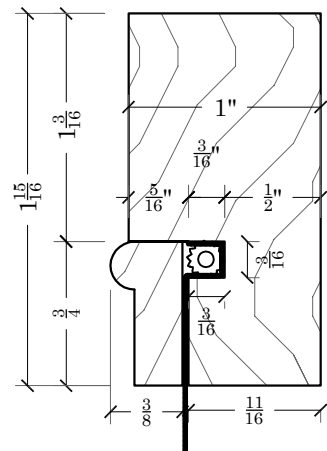
SCALE: 1-1/2"=1'



D2

DETAIL

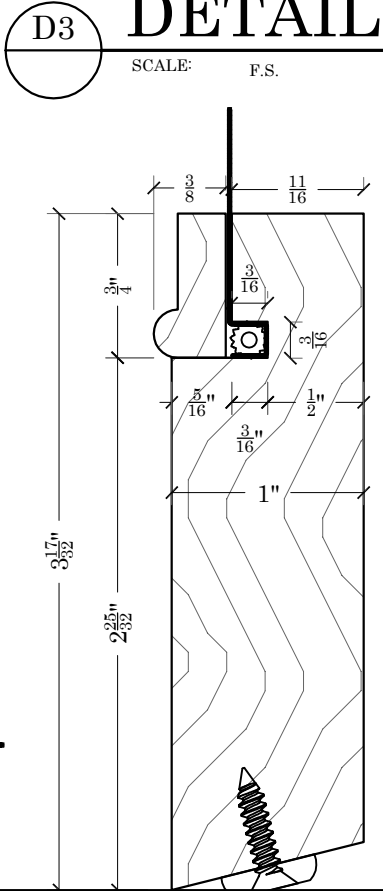
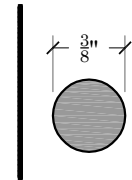
SCALE: F.S.



D3

DETAIL

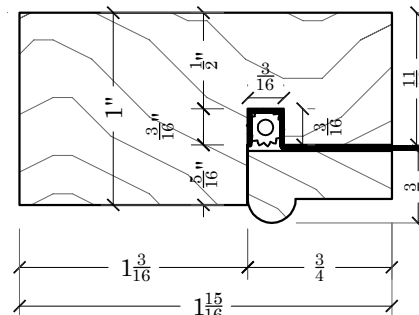
SCALE: F.S.



D1

DETAIL

SCALE: F.S.



D4

DETAIL

SCALE: F.S.

STANDARD

- PRIMED UTILE MAHOGANY FRAME & BEAD
- CHARCOAL FIBER GLASS SCREEN

OPTIONS

- BRONZE SCREEN
- 3/8" BRASS SPREADER BAR

SCREEN LIST

SCREEN WIDTH	SCREEN HEIGHT	SPREADER BAR LOCATION A OR B	QTY

BOSTON

SASH & MILLWORK
 667 SPRING STREET
 NORTH DIGHTON, MA. 52764
 PHONE # (508) 880-8808
 FAX # (508) 880-8828
 WWW.BOSTONSASH.COM

B.S. STANDARDS
WOOD FULL SCREENS
 JOB:

DESCRIPTION:
 ELEVATION, SECTIONS & DETAILS
 NOTES & LIST

P.O.#
N/A

DEALER
N/A

CONTRACTOR
N/A

ARCHITECT
N/A

PROJECT MANAGER
N/A

DRAWN BY:
KEITH KUTHAN

DATE:
5/12/2016

SCALE:
NOTED

DWG. NO:
SK10A1.0

SHEET:
1 OF 1